



A UTC Fire & Security Company

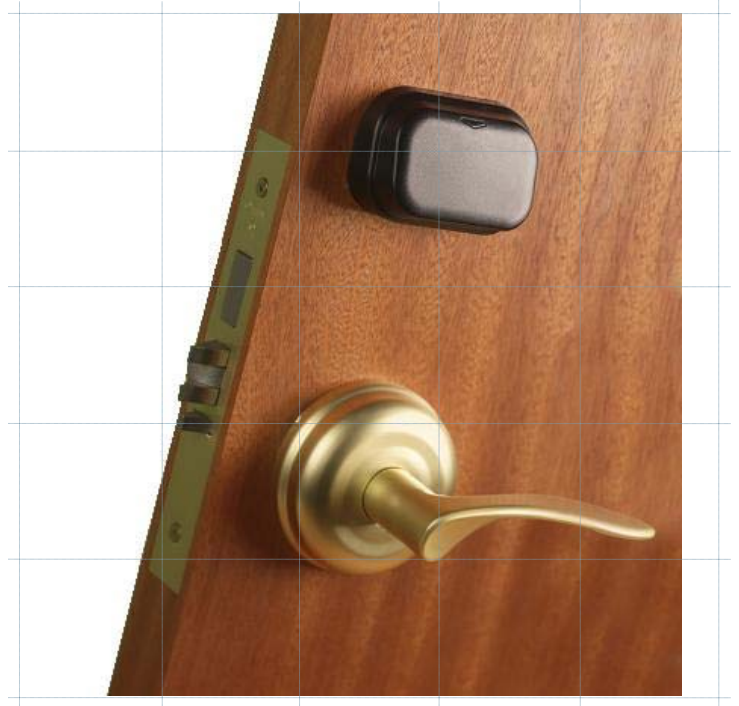
ADVANCE RFID Contactless Electronic Lock

ADVANCE RFID (Radio Frequency Identification) combines the extensive benefits of the Onity design centric ADVANCE lock with industry-standard contactless RFID technology.

- ❑ RFID Reader: Contactless Proximity Type Reader compatible with MiFare® (ISO14443A and ISO14443B part 4).
- ❑ Opening devices: Multi-segment ISO compliant keycard, wristbands, lanyards and other devices. Compatible with ISO MiFare® Ultra Light, 1K, 4K memory sizes and application segment configurations.
- ❑ Security: Devices are encrypted with the NXP Crypto-1 encoding algorithm and memory segment is secured using site code or similar security key.
- ❑ Detect/Read Range: 0 to 2 cm. Tag read cycle does not exceed 1 second including unlocking.

Electronic Features

- ❑ Lock Audit Trail: Records the last 500 lock openings including date, time and card used
- ❑ Non-volatile memory
- ❑ “Do-Not-Disturb” Function: Deadbolt operated by a thumbturn inside the room for added guest privacy and security
- ❑ Each new guest card overrides any previous ones preventing re-entry
- ❑ Low battery indicator lights alert hotel staff without disturbing guests
- ❑ Programmable “office-mode” function (free passage)
- ❑ Masterkeying capability
- ❑ Able to manage shifts



Physical Features

- ❑ Off-line installation (no wires required)
- ❑ Finishes: All Onity standard (Satin Chrome, Satin Brass) and special finishes (Polished Brass, Antique Brass, Polished Chrome, Satin Nickel, Dark Bronze)
- ❑ Levers: Wing, Toledo and Granada
- ❑ Latch Mechanisms: EURO with Auto Latch, ANSI, ANSI with Auto Deadbolt, Cylindrical BLA and DIN
- ❑ Concealed screw design
- ❑ Batteries: 4 x standard AA
- ❑ Attractive cover plates are available for retrofit projects

Certifications

- ❑ European Fire Certification EN 1634-1
- ❑ Directive 2004/108/EC (electromagnetic compatibility)
- ❑ Directive 1999/5/EC (R&TTE)
- ❑ UL10C (3 hours)
- ❑ BHMA 156.25 & BHMA 156.13



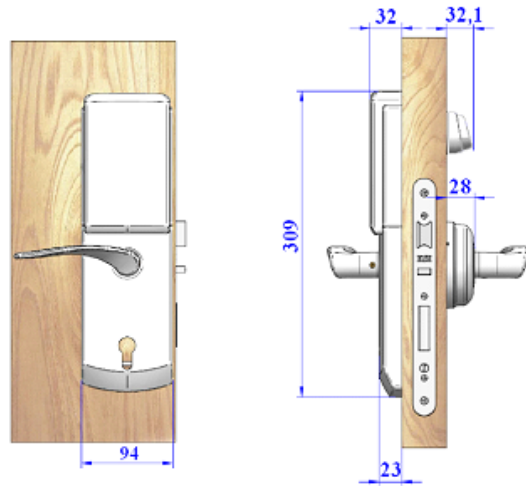
A UTC Fire & Security Company

ADVANCE RFID Contactless Electronic Lock

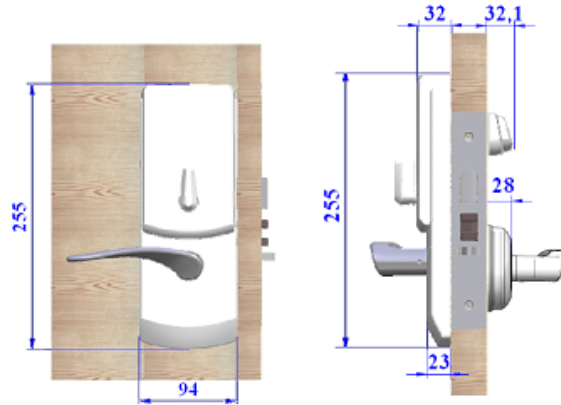
Dimensions (mm)



EURO



ANSI



Tubular
BLA

